

Dew Point Sensor – W Series

Wall mount dew point and pressure sensor with alarm

Features:

- Three Dew Point Ranges:
 - (i) -60°C to +60°C
-76°F to +140°F
 - (ii) -80°C to +20°C
-112°F to +68°C
 - (iii) -110 to +0°C
-166°F to +32°F
- Absolute Pressure range:
1 – 17 bar (247 psi)
- Alarm relay - Red/green light and buzzer
- Accuracy up to +/- 2°C
- Fast response time
- Long term stability
- Resistant to condensation, particulate contamination, oil vapors and most chemicals
- Options
 - (i) integrated pressure sensor
 - (ii) Plug type (USA, EURO, UK, Australia)



With this all-in-one wall mounted unit you can continuously monitor your dryer performance and system pressure¹. Should an issue occur, the integrated alarm light will draw immediate attention.

The precision dew point monitor is ideal for compressed air and inert gas systems up to 1.7 Mpa (274psi) with refrigerant, desiccant, drum or membrane dryers. The optional integrated pressure sensor makes measuring simpler and easier to manage, reducing wiring and installation costs. The fast response time ensures an accurate and up to date reading, giving you peace of mind that your system is under control. Sensor calibration can be performed every 2 years².

¹ If fitted with option pressure sensor

² Provided sensor not exposed to relative humidity above 85%

More information: www.compressedairalliance.com/products

Benefits of dew point monitoring:

- Improve system reliability
- Reduce product contamination risks
- Reduce system maintenance
- Reduce operating and energy costs
- Improve dryer reliability
- Improve filter life and performance
- Reduce risk of rust and corrosion build up
- Reduce risk of bacteria, fungus and yeast build up
- Be aware of changes in dryer performance before moisture appears in your plant



Specifications

Sensor

Sensor Technology Quartz (QCM), Alumina-Oxide or Polymer sensor (depending on the dew point range)

Sensor Filter Stainless steel mesh filter (filter level 30-45 um)

Contact us for other filter options

Measurement Range

Pressure Dew Point Range -60 to +60°C
-80 to +20 °C
-110 to +0°C

Gas Temperature Measurement Range -40 to +100 °C
-40 to +212°F

Pressure Measurement Range 0 to 17 bar

Accuracy

Dew Point Accuracy

- +60 to -80°C ±2%
- -80 to -110°C ±3%

Temperature Accuracy

- 0 to + 50°C ±0.3°C
- -40 to 0°C and +50 to +100°C ±0.5°C

Pressure Accuracy (@23°C) ±0.3% F.S

Pressure changes with temperature ±0.01 bar / 10°C

Dew Point Measurement Response Time

-50 to +20 °Ctd 20 sec [40 sec]

+20 to -50 °Ctd 1 min [3 min]

Reference Conditions: 63% [90%], 20 °C, 1bar(a), 4L/min

Working Environment

Operating Temperature -30 to +70°C
-22 to +158°F

Relative Humidity 0 to 95% RH

Minimum gas flow > 1L /min

Power Supply

Power Requirement 110- 220vAC , 10 W

Electrical Connection M12 PG Plug

Electromagnetic Compatibility Meets IEC 61326-1

Other

Outputs None

Process Connection 6 mm stainless steel quick connector

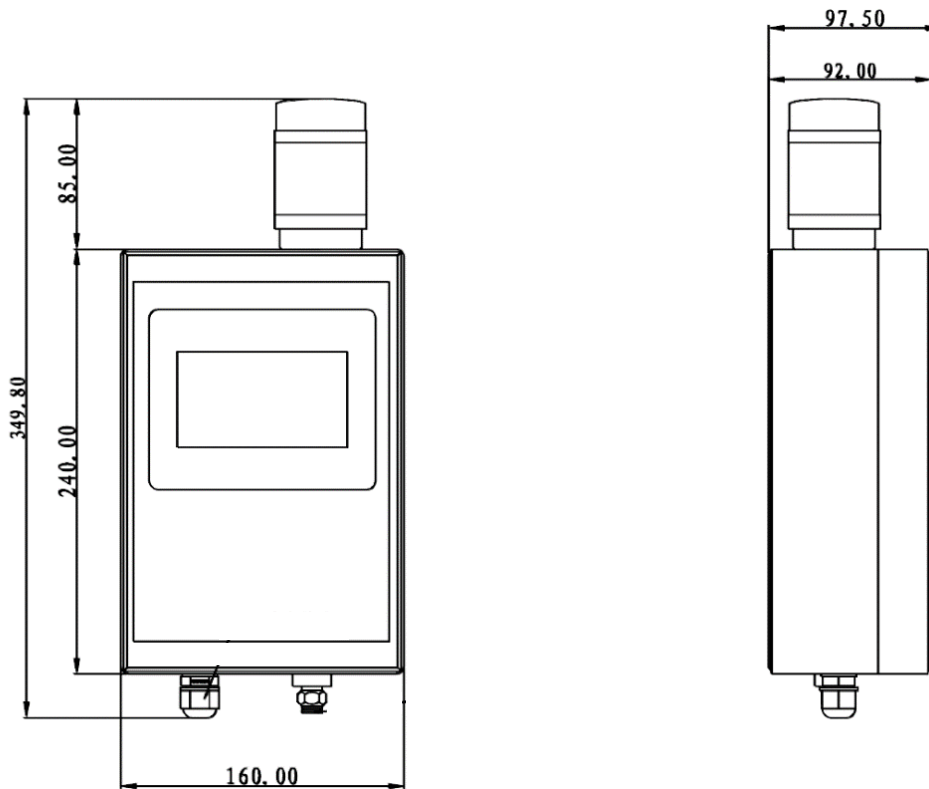
Casing Plastic

Display Colour touch screen

Alarm Red/green light
Buzzer

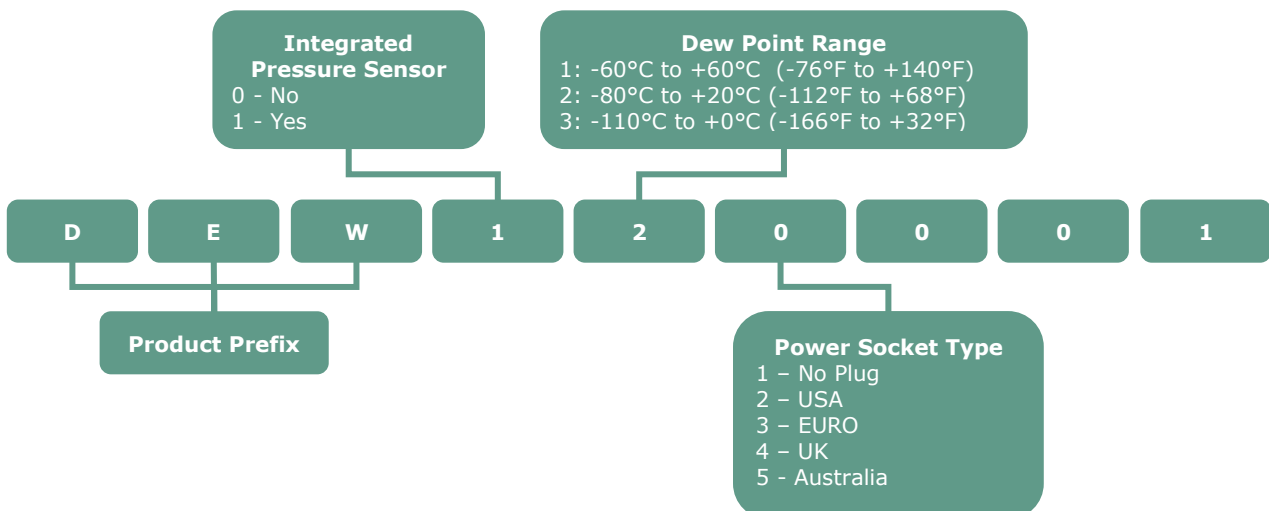


Dimensions (mm)



How to Order

Buy online: www.compressedairalliance.com/products



Other Dew Point Sensors



P Series Dew Point Meter

Portable dew point meter. Ideal for temporary measurement

Pressure Dew Point Range

-110°C to +60°C (-166°F to +140°F)

Gas Contamination

Minimal to moderate contamination

Outputs

None. Stand alone unit

Technology

Quartz, Alumina-Oxide or Polymer sensor (depending on dew point range)

Options

Integrated pressure sensor

Power Plug (USA, Euro, UK or Australian plug)

Q Series Dew Point Sensor

"Top of the range" sensor

Pressure Dew Point Range

-110°C to +0°C (-166°F to +32°F)

Gas Contamination

High purity gases. Little to no contamination

Outputs

Modbus & 4-20mA

Technology

Quartz sensor technology

Options

Integrated pressure sensor, in-built display, data cable



A Series Dew Point Sensor

Mid-range sensor

Pressure Dew Point Range

-100°C to +20°C (-148°F to +68°F)

Gas Contamination

Minimal contamination

Outputs

Modbus & 4-20mA

Technology

Alumina-Oxide sensor

Options

Integrated pressure sensor, in-built display, data cable

K Series Dew Point Sensor

Robust sensor, suitable for harsh conditions

Pressure Dew Point Range

-60°C to +60°C (-76°F to +140°F)

Gas Contamination

Moderate levels of contamination

Outputs

Modbus & 4-20mA

Technology

Polymer sensor

Options

Integrated pressure sensor, in-built display, data cable



Mini Dew Point Sensor

Entry level sensor. Compact design and can be used in small spaces

Pressure Dew Point Range

-60°C to +60°C (-76°F to +140°F)

Gas Contamination

Moderate levels of contamination

Outputs

Modbus & 4-20mA

Technology

Polymer sensor

Options

Stainless Steel or Aluminium casing

Note: No integrated pressure or in-built display option available