

Power Meter

For measuring power, energy and quality of single or three phase systems

Features

- Multi-function power meter
- Measure single or three phase power with the same meter
- DIN rail mounting
- Modbus/RTU output
- Easy to install rogowski coil current transducers
- Measures Voltage, Amps, Kilowatts, Power factor, Kilowatt hours, Kilovolt Amps and harmonics
- 3 rogowski coil current rating options
- Can be installed on mains supply
- Can be used for sub metering individual equipment or sub loads



Electricity prices continue to rise across the world and many companies are actively looking for ways to reduce their energy usage. Measuring your energy consumption and how you use your power is the first essential step to understanding why your energy bills are so high. Once you understand how your using power, then you can take actions to reduce it.

This single or three phase power meter with Modbus/RTU output is simple to install and easy to configure directly into a remote display or into your data acquisition system.

Benefits of energy monitoring:

- Reduce operating and energy costs
- Improve understanding of energy usage (eg spikes, variation, usage)
- Identify phase and voltage issues
- Identify power factor and harmonic issues
- Compare and challenge your energy bill
- Improve efficiency and reduce waste
- Monitor your mains power supply usage and quality
- Monitor individual equipment usage or sub system loads



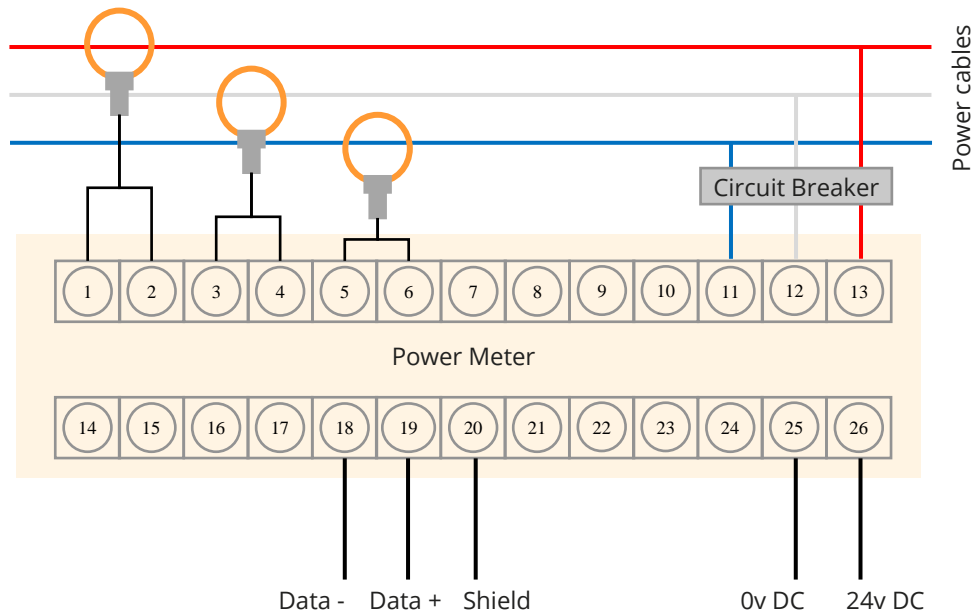


Modbus settings:

Default Modbus RTU (RS485) Settings					
Address	Baud Rate	Frame / Parity / Stop Bit	Response Time	Response Delay	Frame Spacing
1	19200	8 / N / 1	1 Sec	0 Milliseconds	7 Characters

Modbus Registers
Please contact us for a detailed list of available Modbus registers

Wiring:



How to Order:

(For OEM or Own branded version, please contact Compressed Air Alliance)

Rogowski Coil (set of 3 coils)

- 1 - 500 amps
 - 2 - 1,000 amps
 - 3 - 3,000 amps
- Please contact us for other coil ratings*

